

4

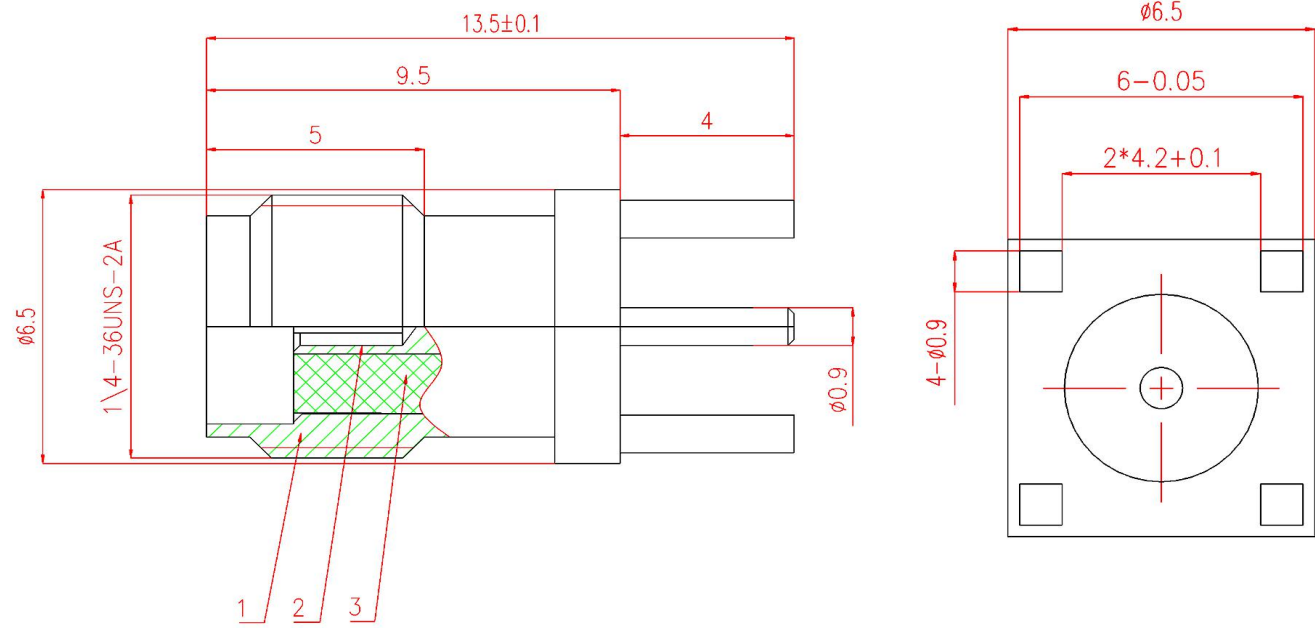
3

2

1

THIS DRAWING UNPUBLISHED.	RELEASED FOR PUBUCATION
---------------------------	-------------------------

LOC	DIST	REVISIONS				
---	---	P	LTR	DATE	DWN	APVD
		---	---	---	---	---



- NOTES:
- 1.ELECTRICAL:
 - 1.1 IMPEDANCE: 50Ω
 - 1.2 INSULATION RESISTANCE:5000M Ω
 - 1.3 FREQUENCY RANGE: DC-6 GHz
 - 1.4 DIELECTRIC WITHSTANDING VOLTAGE: 750V MAX AT SEA LEVEL
 - 1.5 VSWR: ≤1.20:1
 - 1.6 INSERTION LOSS: 0.25dB (MAX)
 - 2.ENVIRONMENTAL:
 - 2.1 TEMPERATURE RANGE: -55° to +125°
 - 3.MATERIAL AND FINISH:
 - 3.1 INNER CONDUCTOR MATERIAL: BERYLLIUM BRONZE GOLD PLATING
 - 3.2 INSULATOR: PTFE
 - 3.3 EXTERNAL CONDUCTOR MATERIAL: BRASS GOLD PLATING

1	2	3
BRASS	BERYLLIUM BRONZE	PTFE
GOLD PLATING	GOLD PLATING	/
Accept custom sizes and styles		

- 2.ENVIRONMENTAL:
 - 2.1 TEMPERATURE RANGE: -55° to +125°
- 3.MATERIAL AND FINISH:
 - 3.1 INNER CONDUCTOR MATERIAL: BERYLLIUM BRONZE GOLD PLATING
 - 3.2 INSULATOR: PTFE
 - 3.3 EXTERNAL CONDUCTOR MATERIAL: BRASS GOLD PLATING

THIS DRAWING IS A CONTROLLED DOCUMENT		21/10/2021	Shenzhen xinqiyuan Technology Co., Ltd.		
		CHK			
DIMENSIONSMM		TOLERANCES UNLESS OTHERWISE SPECIFIED: ±0.1 Note: Dimensions (mm / [inch])	APVD	NAME SMA Female RF Coaxial Connector Printed circuit board	
		Note: Dimensions (mm / [inch])	APPLICATION SPEC	SIZE A4	CAGE CODE 01021
			WEIGHT		

4

3

2

1